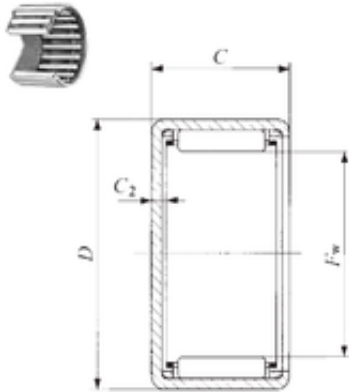




BEARING CORP. LTD.

IKO TLAM 2020 needle roller bearings



Bearing No. TLAM 2020

Size	20x26x20 mm
Bore Diameter	20 mm
Outer Diameter	26 mm
Width	20 mm
Fw	20 mm
D	26 mm
C	20 mm
C2	1,3 mm
Weight	0,024 Kg
Basic dynamic load rating (C)	14,5 kN
Basic static load rating (C0)	24,7 kN

TLAM 2020 Bearing 2D drawings and 3D CAD models