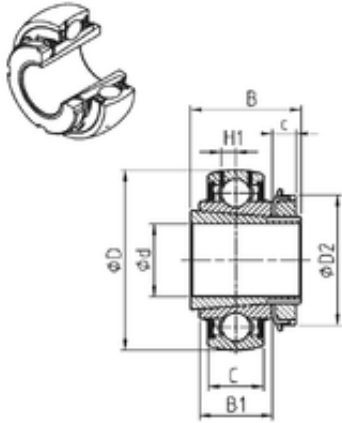




BEARING CORP. LTD.

55,5625 mm x 120 mm x 65 mm SNR
UK213+H-35 deep groove ball bearings



Bearing No. UK213+H-35

Size	55.5625x120x65 mm
Bore Diameter	55,5625 mm
Outer Diameter	120 mm
Width	65 mm
d	55,5625 mm
D	120 mm
B	65 mm
B1	36 mm
C	28 mm
c	14 mm
D2	85 mm
H1	8 mm
Weight	2,11 Kg
Basic dynamic load rating (C)	57,2 kN

UK213+H-35 Bearing 2D drawings and 3D CAD models