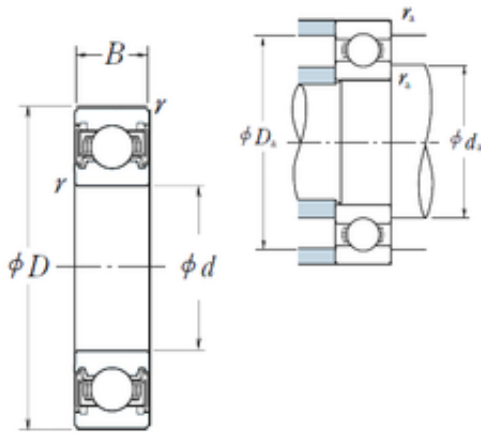




# BEARING CORP. LTD.



75 mm x 105 mm x 16 mm NSK 6915VV deep groove ball bearings

Bearing No. 6915VV

6915VV Bearing 2D drawings and 3D CAD models

Size	75x105x16 mm
Bore Diameter	75 mm
Outer Diameter	105 mm
Width	16 mm
d	75 mm
D	105 mm
B	16 mm
C	16 mm
r min.	1 mm
da min.	80 mm
da max	82 mm
Da max.	100 mm
ra max.	1 mm
Weight	0,364 Kg
Basic dynamic load rating (C)	24,4 kN
Basic static load rating (C0)	22,6 kN
(Grease) Lubrication Speed	6 000 r/min
Category	Single Row Ball Bearings
Inventory	0.0
Manufacturer Name	NSK
Minimum Buy Quantity	N/A
Weight / Kilogram	0.36
EAN	0029176418358
Product Group	B00308
Enclosure	2 Seals



## BEARING CORP. LTD.

Precision Class	ABEC 1   ISO P0
Maximum Capacity / Filling Slot	No
Rolling Element	Ball Bearing
Snap Ring	No
Internal Special Features	No
Cage Material	Steel
Enclosure Type	Non-Contact Seal
Internal Clearance	C0-Medium
Inch - Metric	Metric
Long Description	75MM Bore; 105MM Outside Diameter; 16MM Outer Race Diameter; 2 Seals; Ball Bearing; ABEC 1   ISO P0; No Filling Slot; No Snap Ring; No Internal Special Features
Category	Single Row Ball Bearing
UNSPSC	31171504
Harmonized Tariff Code	8482.10.50.68
Noun	Bearing
Keyword String	Ball
Manufacturer URL	<a href="http://www.nskamericas.com">http://www.nskamericas.com</a>
Weight / LBS	2.953
Outside Diameter	4.134 Inch   105 Millimeter
Outer Race Width	0.63 Inch   16 Millimeter
Bore	2.953 Inch   75 Millimeter
SRI	4.52
hidYobi	6915VV
LangID	1
D_	105
SREX	0.02
B_	16
da min	80



## BEARING CORP. LTD.

hidTable	ecat_NSRDGB
SRE	4.52
mass	0.364
GRS rpm	6000
ra	1
SRIX	0.02
D_a	100
SRIN	-0.02
C0	22.6
fo	16.5
SREN	0
DE_	98.731
Prod_Type3	DGBB_SR_VV
DA_	8.731
bomp	0
Z_	18
yobi	6915VV
C_conv	24400
ALPHA_	0
SDM_	90
r	1
KBRG	6151
SBRG	19
DI_	81.269