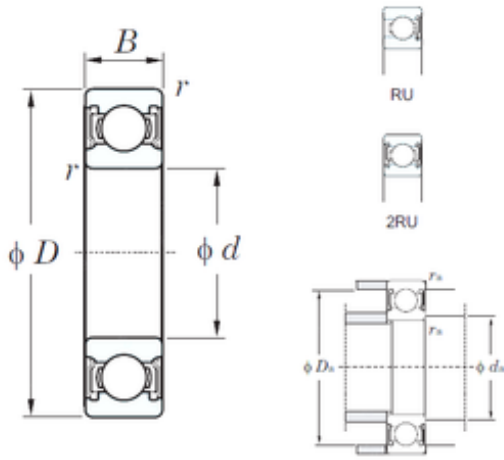




BEARING CORP. LTD.



30 mm x 47 mm x 9 mm KOYO 6906-2RU
deep groove ball bearings

Bearing No. 6906-2RU

Size	30x47x9 mm
Bore Diameter	30 mm
Outer Diameter	47 mm
Width	9 mm
d	30 mm
D	47 mm
B	9 mm
C	9 mm
r min.	0,3 mm
da min.	32 mm
da max	33 mm
Da max.	45 mm
ra max.	0,3 mm
Weight	0,045 Kg
Basic dynamic load rating (C)	7,25 kN
Basic static load rating (C0)	5 kN
(Grease) Lubrication Speed	14000 r/min

6906-2RU Bearing 2D drawings and 3D CAD models