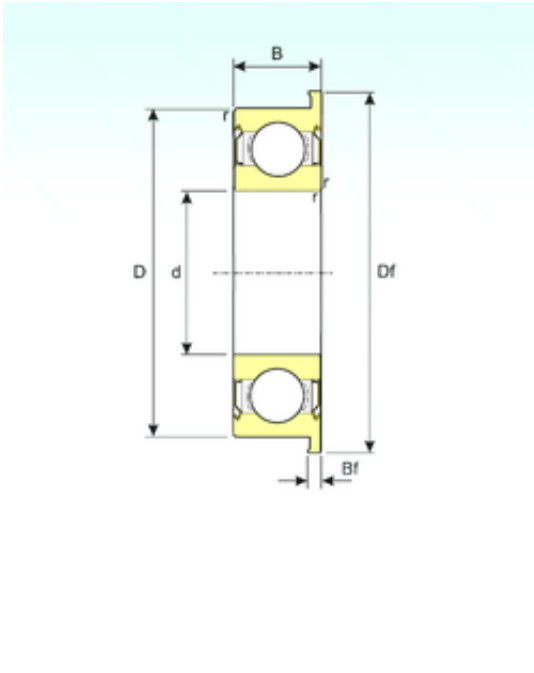




BEARING CORP. LTD.



FR133ZZ Bearing 2D drawings and 3D CAD models

2,38 mm x 4,762 mm x 2,38 mm ISB FR133ZZ
deep groove ball bearings

Bearing No. FR133ZZ

Size	2.38x4.762x2.38 mm
Bore Diameter	2,38 mm
Outer Diameter	4,762 mm
Width	2,38 mm
d	2,38 mm
D	4,762 mm
B	2,38 mm
C	2,38 mm
Bf	0,787 mm
Df	5,944 mm
r min.	0,1 mm
Basic dynamic load rating (C)	0,14 kN