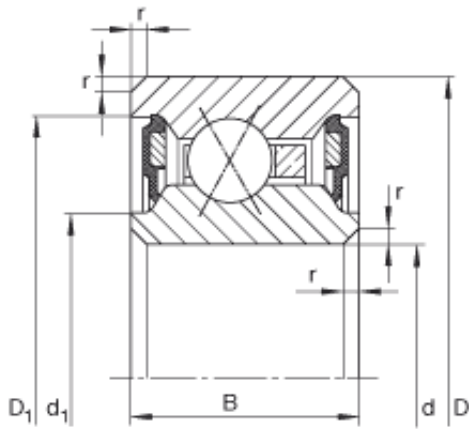




# BEARING CORP. LTD.

4 inch x 120,65 mm x 12,7 mm INA  
CSXU040-2RS deep groove ball bearings



Bearing No. CSXU040-2RS

CSXU040-2RS Bearing 2D drawings and 3D CAD models

Size	101.6x120.65x12.7 mm
Bore Diameter	101,6 mm
Outer Diameter	120,65 mm
Width	12,7 mm
d	101,6 mm
d	4 inch
D	120,65 mm
B	12,7 mm
D <sub>1</sub>	115,5 mm
d <sub>1</sub>	105,4 mm
r <sub>min</sub>	0,38 mm
m	0,25 kg / Weight
C <sub>r</sub>	10400 N / Dynamic load rating (radial)
C <sub>0r</sub>	14400 N / Static load rating (radial)
Category	Angular Contact Ball Bearings
Inventory	0.0
Manufacturer Name	SCHAEFFLER GROUP
Minimum Buy Quantity	N/A
Weight / Kilogram	0.24
EAN	4047643240376
Product Group	B00308
Enclosure	2 Seals
Flush Ground	No



## BEARING CORP. LTD.

Rolling Element	Ball Bearing
Number of Rows of Balls	Single Row
Precision Class	ABEC 1   ISO P0
Maximum Capacity / Filling Slot	No
Snap Ring	No
Cage Material	Brass
Contact Angle	35 Degree   4 Point
Internal Clearance	C0-Medium
Number of Bearings	1 (Single)
Inch - Metric	Inch
Long Description	4" Bore; 4-3/4" Outside Diameter; 1/2" Width; 2 Seals; No Flush Ground; Ball Bearing; Single Row of Balls; ABEC 1   ISO P0; No Filling Slot; No Snap Ring; C0-Medium; Brass Cage; 35 Degr
Other Features	Thin Section
Category	Angular Contact Ball Bearing
UNSPSC	31171531
Harmonized Tariff Code	8482.10.50.28
Noun	Bearing
Keyword String	Angular Contact
Manufacturer URL	<a href="http://www.ina.com">http://www.ina.com</a>
Weight / LBS	0.52
Outside Diameter	4.75 Inch   120.65 Millimeter
Bore	4 Inch   101.6 Millimeter
Width	0.5 Inch   12.7 Millimeter