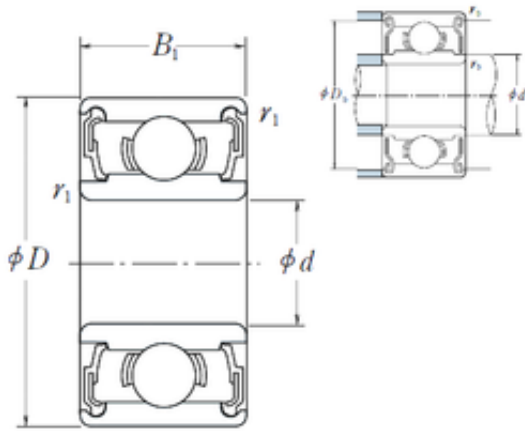




BEARING CORP. LTD.

6 mm x 22 mm x 7 mm ISO 636-2RS deep groove ball bearings

Bearing No. 636-2RS



636-2RS Bearing 2D drawings and 3D CAD models

Size	6x22x7 mm
Bore Diameter	6 mm
Outer Diameter	22 mm
Width	7 mm
d	6 mm
D	22 mm
B	7 mm
C	7 mm
r min.	0,3 mm