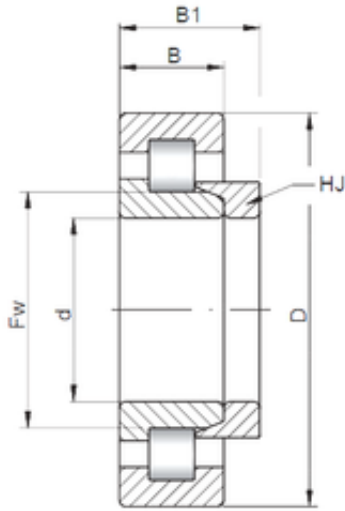




BEARING CORP. LTD.

35 mm x 80 mm x 21 mm ISO NH307 cylindrical roller bearings



Bearing No. NH307

Size	35x80x21 mm
Bore Diameter	35 mm
Outer Diameter	80 mm
Width	21 mm
d	35 mm
D	80 mm
B	21 mm
C	21 mm
B1	6 mm
B2	9,5 mm

NH307 Bearing 2D drawings and 3D CAD models