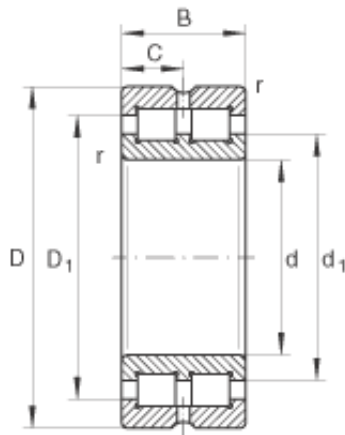




BEARING CORP. LTD.



260 mm x 360 mm x 100 mm INA SL014952
cylindrical roller bearings

Bearing No. SL014952

SL014952 Bearing 2D drawings and 3D CAD models

Size	260x360x100 mm
Bore Diameter	260 mm
Outer Diameter	360 mm
Width	100 mm
d	260 mm
D	360 mm
B	100 mm
C	50 mm
D ₁	322,1 mm
d ₁	294,5 mm
r _{min}	2,1 mm
	NNC4952V / Designation to DIN 5412
m	32 kg / Weight
C _r	1100000 N / Dynamic load rating (radial)
C _{0r}	2470000 N / Static load rating (radial)
C _{ur}	280000 N / Fatigue limit load, radial
n _G	1010 1/min / Limiting speed
Category	Cylindrical Roller Bearings
Inventory	0.0
Manufacturer Name	SCHAEFFLER GROUP
Minimum Buy Quantity	N/A
Weight / Kilogram	38.35



BEARING CORP. LTD.

Product Group	B04144
Bore Profile	Straight
Cage Material	None
Precision Class	RBEC 1 ISO P0
Number of Rows of Rollers	Double Row
Separable	No
Rolling Element	Cylindrical Roller Bearing
Profile	Complete with Outer and Inner Ring
Snap Ring	No
Internal Clearance	C0-Medium
Retainer	No
Relubricatable	Yes
Inch - Metric	Metric
Other Features	Full Complement 3 Rib Inner Ring 2 Rib Outer Ring Operating Temperature From -30 to 120 Deg
Long Description	260MM Bore; Straight Bore Profile; 360MM Outside Diameter; 100MM Width; RBEC 1 ISO P0; Double Row; Not Separable; No Snap Ring; Relubricatable; C0-Medium Internal Clearance; No Retainer
Category	Cylindrical Roller Bearing
UNSPSC	31171547
Harmonized Tariff Code	8482.50.00.00
Noun	Bearing
Manufacturer URL	http://www.ina.com
Manufacturer Item Number	SL014952
Weight / LBS	84.48
Outside Diameter	14.173 Inch 360 Millimeter
Width	3.937 Inch 100 Millimeter



BEARING CORP. LTD.

Bore	10.236 Inch 260 Millimeter
------	------------------------------