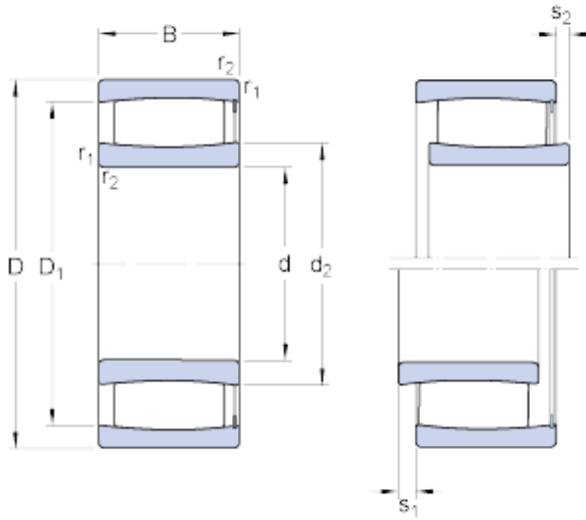




BEARING CORP. LTD.



50 mm x 72 mm x 30 mm SKF C 5910 V cylindrical roller bearings

Bearing No. C 5910 V

C 5910 V Bearing 2D drawings and 3D CAD models

Size	72x50x30 mm
Bore Diameter	72 mm
Outer Diameter	50 mm
Width	30 mm
d	50 mm
D	72 mm
B	30 mm
d ₂	56.9 mm
D ₁	65.7 mm
s ₁	6 mm
s ₂	3 mm
r _{1,2} - min.	0.6 mm
d _a - min.	53.2 mm
d _a - max.	62 mm
D _a - max.	68.8 mm
r _a - max.	0.6 mm
Basic dynamic load rating - C	114 kN
Basic static load rating - C ₀	176 kN
Fatigue load limit - P _u	20.8 kN
Limiting speed	2800 r/min
Factor - k ₁	0.103
Factor - k ₂	0.106