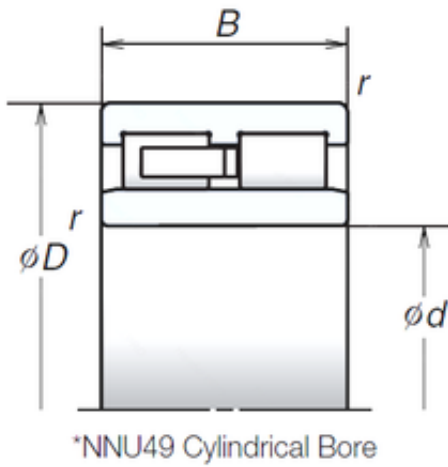




BEARING CORP. LTD.

120 mm x 165 mm x 45 mm NSK NNU4924MB
cylindrical roller bearings

Bearing No. NNU4924MB



NNU4924MB Bearing 2D drawings and 3D CAD models

Size	120x165x45 mm
Bore Diameter	120 mm
Outer Diameter	165 mm
Width	45 mm
d	120 mm
F	133,5 mm
D	165 mm
B	45 mm
C	45 mm
r min.	1,1 mm
Weight	2,85 Kg
Basic dynamic load rating (C)	183 kN
Basic static load rating (C0)	360 kN
(Grease) Lubrication Speed	5 300 r/min