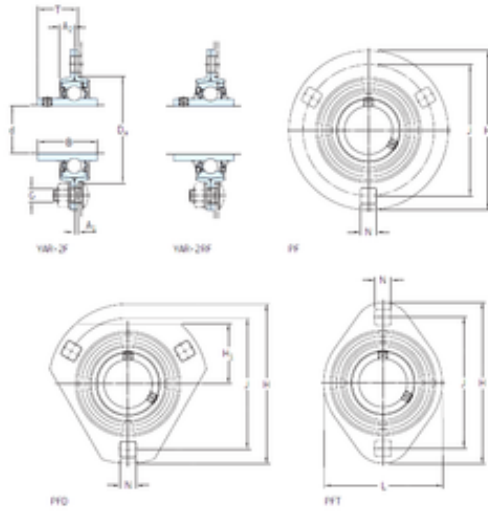




BEARING CORP. LTD.



SKF PF 45 WF bearing units

Bearing No. PF 45 WF

Bore Diameter	45 mm
d	45 mm
Da	97 mm
A1	3,5 mm
B1	56,3 mm
G	12 mm
H	149 mm
H1	– mm
J	120,6 mm
L	–
N	13,5 mm
T	38,4 mm
A2	10,5 mm
Weight	1,4 Kg
Basic dynamic load rating (C)	33,2 kN
Basic static load rating (C0)	21,6 kN
Housing material	Pressed steel
A ₁	3.5 mm
A ₂	10.5 mm
B	42.8 mm
B ₄	6.75 mm
D _a min.	92 mm
s ₁	34.9 mm
Basic dynamic load rating C	33.2 kN
Basic static load rating C ₀	21.6 kN
Fatigue load limit P _u	0.915 kN

PF 45 WF Bearing 2D drawings and 3D CAD models



BEARING CORP. LTD.

Permissible radial housing load max.	8.3 kN
Mass unit	1.45 kg
Thread grub screw G ₂	M10x1
Hexagonal key size for grub screw N	5 mm
Recommended tightening torque for grub screw	16.5 N · m
Recommended diameter for attachment bolts, mm G	12 mm
Recommended diameter for attachment bolts, inch G	0.5 in