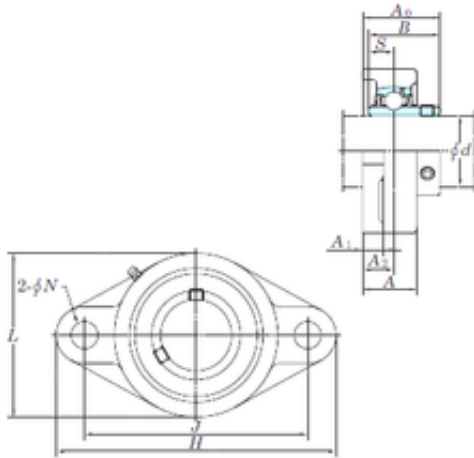




# BEARING CORP. LTD.

## KOYO UCFL212E bearing units

Bearing No. UCFL212E



UCFL212E Bearing 2D drawings and 3D CAD models

Bore Diameter	60 mm
d	60 mm
A0	68,7 mm
A	48 mm
A1	18 mm
B	65,1 mm
H	250 mm
J	202 mm
L	140 mm
N	16,5 mm
S	25,4 mm
A2	29 mm
Weight	4,2 Kg
Basic dynamic load rating (C)	52,4 kN
Basic static load rating (C0)	36,2 kN