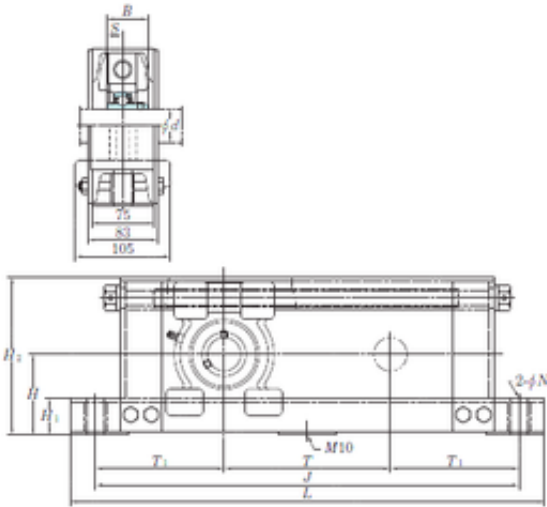




# BEARING CORP. LTD.

## KOYO UCTU210-700 bearing units

Bearing No. UCTU210-700



UCTU210-700 Bearing 2D drawings and 3D CAD models

Bore Diameter	50 mm
Width	51,6 mm
d	50 mm
T1	165 mm
B	51,6 mm
H	107 mm
H1	44 mm
H2	210 mm
J	1030 mm
L	1090 mm
N	22 mm
S	19 mm
T	700 mm
Bolt (G)	M18
Weight	27 Kg
Basic dynamic load rating (C)	35,1 kN
Basic static load rating (C0)	23,3 kN