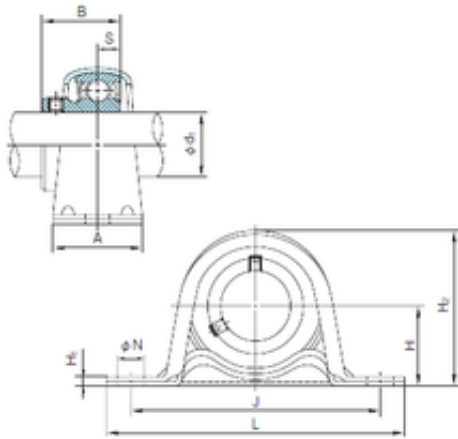




BEARING CORP. LTD.

NACHI BPP3 bearing units

Bearing No. BPP3



BPP3 Bearing 2D drawings and 3D CAD models

Bore Diameter	17 mm
Width	22 mm
d1	17 mm
A	25 mm
B	22 mm
H	22.2 mm
H1	3.2 mm
H2	44 mm
J	68 mm
L	86 mm
N	9.5 mm
S	6 mm
Bolt (G)	M 8