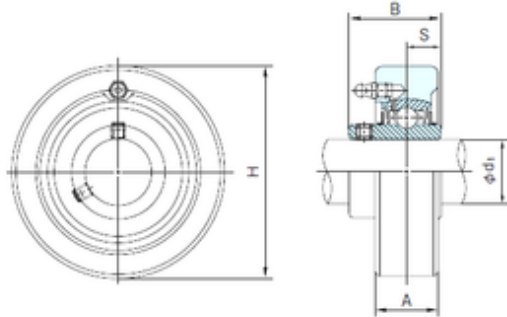




BEARING CORP. LTD.

NACHI UCC310 bearing units



Bearing No. UCC310

Bore Diameter	50 mm
Width	61 mm
d	50 mm
A	40 mm
B	61 mm
H	140 mm
S	22 mm

UCC310 Bearing 2D drawings and 3D CAD models