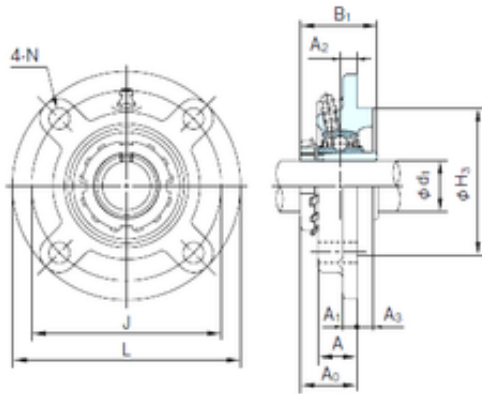




# BEARING CORP. LTD.

## NACHI UKFCX06+H2306 bearing units

Bearing No. UKFCX06+H2306



UKFCX06+H2306 Bearing 2D drawings and 3D CAD models

Bore Diameter	25 mm
d1	25 mm
H3	85 mm
A0	29.5 mm
A	22.5 mm
A1	9.5 mm
B1	38 mm
J	105 mm
L	127 mm
N	12 mm
Bolt (G)	M10
A2	8 mm
A3	9.5 mm