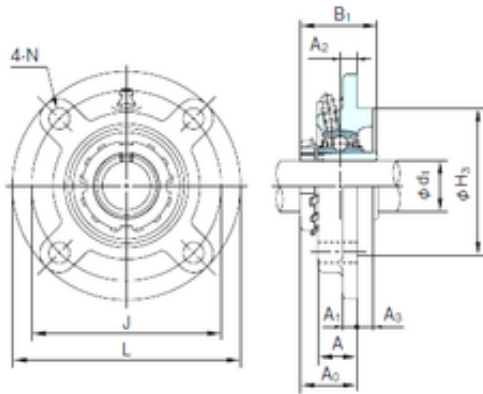




BEARING CORP. LTD.

NACHI UKFC212+H2312 bearing units



Bearing No. UKFC212+H2312

Bore Diameter	55 mm
d1	55 mm
H3	135 mm
A0	48 mm
A	36 mm
A1	15 mm
B1	62 mm
J	160 mm
L	195 mm
N	19 mm
Bolt (G)	M16
A2	17 mm
A3	12 mm

UKFC212+H2312 Bearing 2D drawings and 3D CAD models