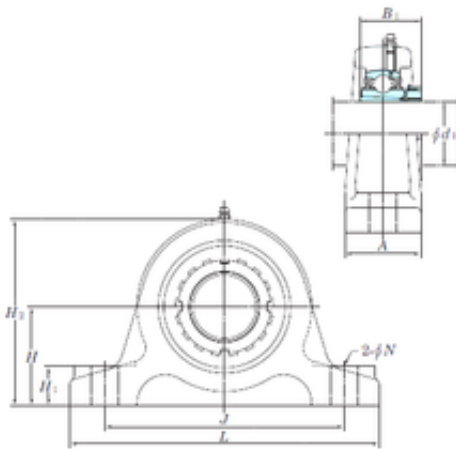




# BEARING CORP. LTD.

## KOYO UKIP326 bearing units

Bearing No. UKIP326



UKIP326 Bearing 2D drawings and 3D CAD models

Bore Diameter	115 mm
Width	200 mm
d	115 mm
A	110 mm
B1	121 mm
H	200 mm
H1	50 mm
H2	390 mm
J	470 mm
L	550 mm
N	32 mm
Bolt (G)	M30
Weight	76 Kg
Basic dynamic load rating (C)	229 kN
Basic static load rating (C0)	214 kN