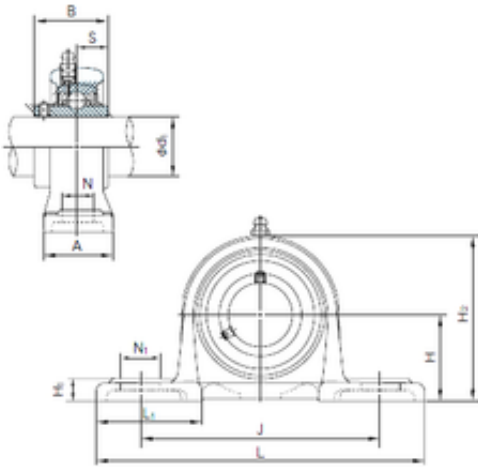




BEARING CORP. LTD.

NACHI MUCP208 bearing units

Bearing No. MUCP208



MUCP208 Bearing 2D drawings and 3D CAD models

Bore Diameter	40 mm
Width	49.2 mm
d	40 mm
A	40 mm
B	49.2 mm
H	49.2 mm
H1	12 mm
H2	98 mm
J	137 mm
L	184 mm
L1	52 mm
N	17 mm
N1	22 mm
S	19 mm
Bolt (G)	M14