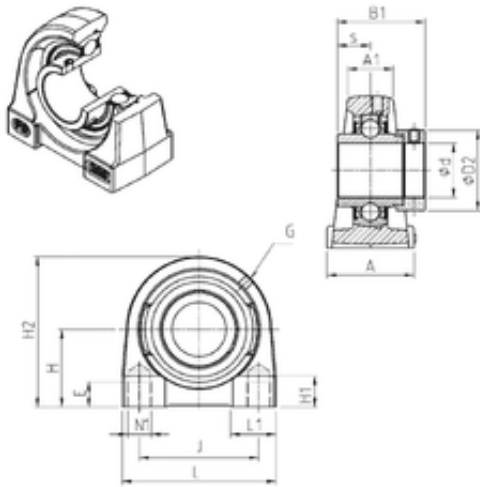




# BEARING CORP. LTD.



## SNR EXPG209 bearing units

Bearing No. EXPG209

Bore Diameter	45 mm
d	45 mm
s	21,4 mm
A	54 mm
A1	33 mm
B1	56,3 mm
D2	63,5 mm
E	22 mm
H	53,9 mm
H1	20 mm
H2	106 mm
J	85 mm
L	120 mm
L1	40 mm
Thread (G)	M6x1
Thread (N1)	M12
Weight	2,4 Kg
Basic dynamic load rating (C)	31,85 kN

EXPG209 Bearing 2D drawings and 3D CAD models