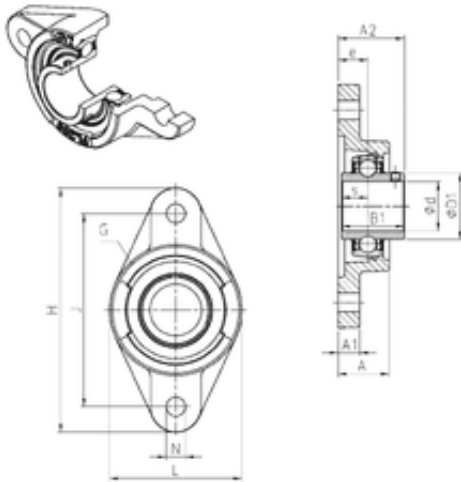




BEARING CORP. LTD.

SNR UCFL309 bearing units

Bearing No. UCFL309



UCFL309 Bearing 2D drawings and 3D CAD models

Bore Diameter	45 mm
d	45 mm
e	25 mm
s	22 mm
A	44 mm
A1	18 mm
B1	57 mm
D1	61,8 mm
H	230 mm
J	177 mm
L	125 mm
N	25 mm
Thread (G)	M6x1
A2	60 mm
Weight	3,1 Kg
Basic dynamic load rating (C)	53 kN