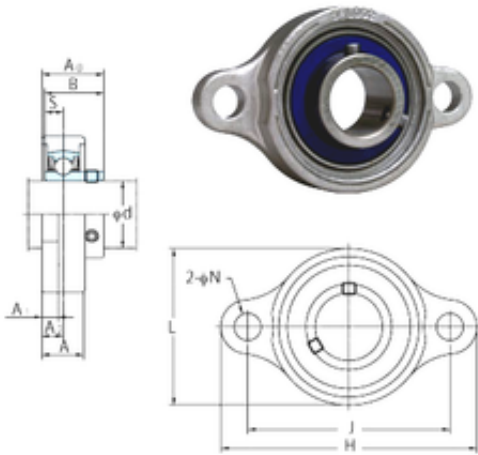




BEARING CORP. LTD.

FYH USFL004S6 bearing units

Bearing No. USFL004S6



USFL004S6 Bearing 2D drawings and 3D CAD models

| | |
|-------------------------------|---------|
| Bore Diameter | 20 mm |
| d | 20 mm |
| A0 | 22 mm |
| A | 16 mm |
| A1 | 6 mm |
| B | 21 mm |
| H | 91 mm |
| J | 71 mm |
| L | 53 mm |
| N | 10 mm |
| S | 7 mm |
| Bolt (G) | M8 |
| A2 | 8 mm |
| Weight | 13,9 Kg |
| Basic dynamic load rating (C) | 0,21 kN |
| Basic static load rating (C0) | 7,9 kN |