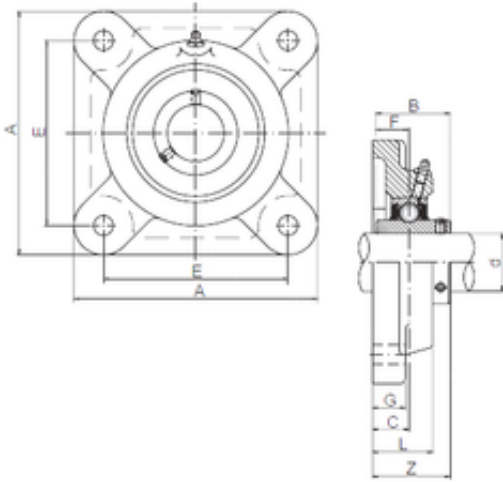




BEARING CORP. LTD.

ISO UCF206 bearing units



Bearing No. UCF206

Bore Diameter	30 mm
Width	38,1 mm
d	30 mm
Z	40,2 mm
A	108 mm
B	38,1 mm
C	18 mm
E	83 mm
F	15,9 mm
G	14 mm
L	31 mm
S	12 mm
Bolt (G)	M10

UCF206 Bearing 2D drawings and 3D CAD models