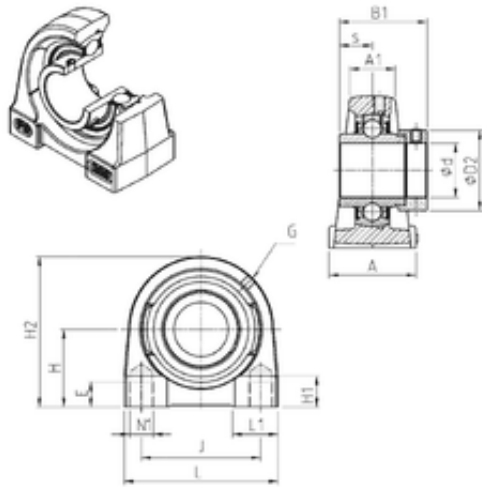




BEARING CORP. LTD.



SNR EXPG205 bearing units

Bearing No. EXPG205

Bore Diameter	25 mm
d	25 mm
s	17,4 mm
A	38 mm
A1	25 mm
B1	44,3 mm
D2	38,1 mm
E	18 mm
H	36,5 mm
H1	15 mm
H2	70 mm
J	50 mm
L	75 mm
L1	25 mm
Thread (G)	M6x1
Thread (N1)	M10
Weight	0,7 Kg
Basic dynamic load rating (C)	14 kN

EXPG205 Bearing 2D drawings and 3D CAD models