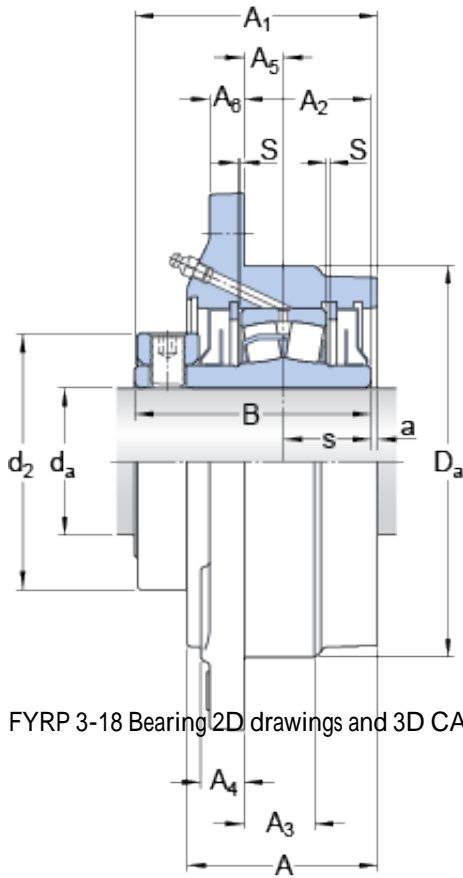




# BEARING CORP. LTD.

## SKF FYRP 3-18 bearing units

Bearing No. FYRP 3-18



FYRP 3-18 Bearing 2D drawings and 3D CAD models

Size	76.2x111.125x161.925 mm
Bore Diameter	76,2 mm
Outer Diameter	111,125 mm
Width	161,925 mm
$d_a$	76.2 mm
$d_2$	111.125 mm
$D_a$	161.925 mm
A	79.375 mm
$A_1$	98.425 mm
$A_2$	51.594 mm
$A_3$	31.75 mm
$A_4$	20.638 mm
$A_5$	20.638 mm
$A_6$	17.462 mm
B	92.075 mm
a	7.144 mm
J	190.5 mm
L	222.25 mm
$N_1$	17.462 mm
s	31.75 mm
S	0.794 mm
Basic dynamic load rating - C	158 kN
Limiting speed	3400 r/min
Category	Bearings



## BEARING CORP. LTD.

Inventory	0.0
Manufacturer Name	SKF
Minimum Buy Quantity	N/A
Weight / Kilogram	0
Product Group	M06288
$d_a$	76.2 mm
$d_2$	111.125 mm
$D_a$	161.925 mm
$A_1$	98.425 mm
$A_2$	51.594 mm
$A_3$	31.75 mm
$A_4$	20.637 mm
$A_5$	20.637 mm
$A_6$	17.462 mm
$N_1$	17.462 mm
Basic dynamic load rating C	158 kN
Mass bearing unit	8.85 kg
Attachment bolt diameter G	15.875 mm