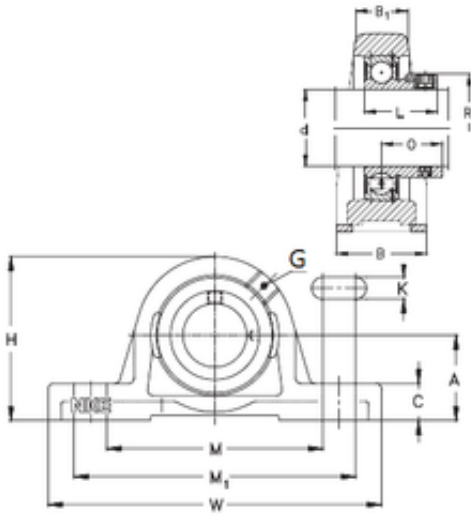




BEARING CORP. LTD.

NKE RASEY80 bearing units

Bearing No. RASEY80



RASEY80 Bearing 2D drawings and 3D CAD models

Bore Diameter	80 mm
Width	78 mm
d	80 mm
O	49,3 mm
A	89 mm
B	78 mm
B1	55 mm
C	30 mm
H	175 mm
K	26 mm
L	82,6 mm
M	224 mm
M1	240 mm
W	290 mm
Thread (G)	R1/8 "