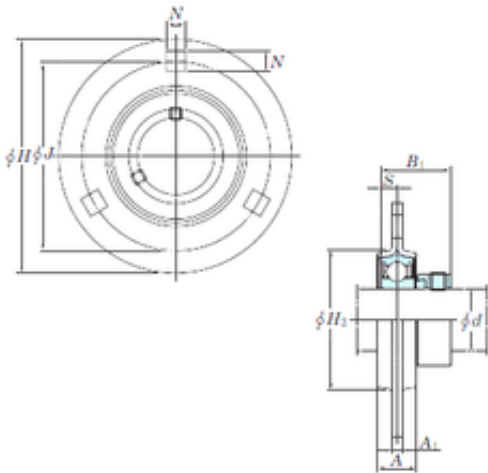




BEARING CORP. LTD.

KOYO SAPF207-23 bearing units



Bearing No. SAPF207-23

Bore Diameter	36,5125 mm
d	36,5125 mm
A	22 mm
A1	5,2 mm
B1	36,5 mm
H	122 mm
H2	81 mm
J	100 mm
N	11 mm
S	8,5 mm
Bolt (G)	M10
Weight	0,9 Kg
Basic dynamic load rating (C)	25,7 kN
Basic static load rating (C0)	15,4 kN
Category	Bearings
Inventory	0.0
Manufacturer Name	KOYO
Minimum Buy Quantity	N/A
Weight / Kilogram	0
Product Group	M06110

SAPF207-23 Bearing 2D drawings and 3D CAD models