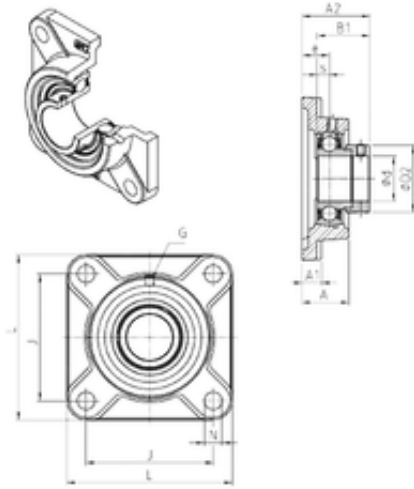




BEARING CORP. LTD.



SNR ESF202 bearing units

Bearing No. ESF202

Bore Diameter	15 mm
d	15 mm
e	15 mm
s	6,5 mm
A	25,5 mm
A1	11 mm
B1	28,6 mm
D2	28,6 mm
J	54 mm
L	76 mm
N	12 mm
Thread (G)	M6x1
A2	37,1 mm
Weight	0,5 Kg
Basic dynamic load rating (C)	9,55 kN

ESF202 Bearing 2D drawings and 3D CAD models