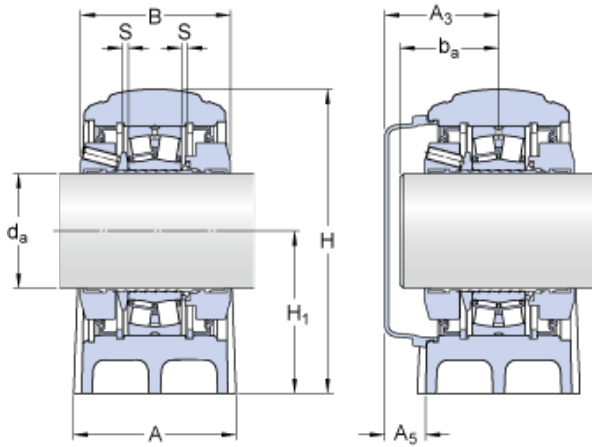




# BEARING CORP. LTD.



## SKF SYNT 50 L bearing units

Bearing No. SYNT 50 L

Size	50x70x65 mm
Bore Diameter	50 mm
Outer Diameter	70 mm
Width	65 mm
$d_a$	50 mm
A	70 mm
B	65 mm
H	131 mm
$H_1$	70 mm
$H_2$	28 mm
J	210 mm
L	255 mm
H	24 mm
$N_1$	18 mm
S	2.5 mm
$J_6$	234 mm
$J_7$	26 mm
$N_4$ - max.	8 mm
$A_3$	62 mm
$A_5$	29.5 mm
$b_a$ - min.	34 mm
$b_a$ - max.	55 mm
Basic dynamic load rating - C	104 kN
Basic static load rating - $C_0$	108 kN

SYNT 50 L Bearing 2D drawings and 3D CAD models



## BEARING CORP. LTD.

Fatigue load limit - $P_u$	11.8 kN
Limiting speed	3300 r/min
Calculation factor - e	0.24
Calculation factor - $Y_1$	2.8
Calculation factor - $Y_2$	4.2
Diameter - $d_m$	70 mm
Basic Designation bearing	22210 E
$P_a$	15 kN
$P_{0^\circ}$	190 kN
$P_{55^\circ}$	330 kN
$P_{90^\circ}$	200 kN
$P_{120^\circ}$	130 kN
$P_{150^\circ}$	115 kN
$P_{180^\circ}$	140 kN
Mass bearing unit	5.8 kg
Category	Pillow Block Bearings
Inventory	0.0
Manufacturer Name	SKF
Minimum Buy Quantity	N/A
EAN	7316574154425
Weight / US pound	0.001
Product Group	M06288
Number of Mounting Holes	2
Mounting Method	Stepped Sleeve
Housing Style	2 Bolt Pillow Block
Rolling Element	Spherical Roller Bearing
Housing Material	Cast Iron
Expansion / Non-expansion	Expansion
Mounting Bolts	16 Millimeter
Relubricatable	Yes



## BEARING CORP. LTD.

Insert Part Number	22210 E
Seals	Trigard
Housing Configuration	1 Piece Solid
Inch - Metric	Metric
Other Features	Double Row   Non Locating Bearing   With Grub Screw
Long Description	2 Bolt Pillow Block; 50MM Bore; 70MM Base to Center Height; Stepped Sleeve Mount; Spherical Roller Bearing; Relubricatable; Cast Iron; Trigard; Expansion
Category	Pillow Block
UNSPSC	31171511
Harmonized Tariff Code	8483.20.40.80
Noun	Bearing
Keyword String	Pillow Block
Manufacturer URL	<a href="http://www.skf.com">http://www.skf.com</a>
Manufacturer Item Number	SYNT 50 L
Weight / LBS	12.6
Length Thru Bore	2.559 Inch   65 Millimeter
Bolt Spacing Maximum	0 Inch   0Millimeter
Actual Bolt Center to Center	8.3 Inch   210Millimeter
Base to Center Height	2.756 Inch   70 Millimeter
Bolt Spacing Minimum	0 Inch   0Millimeter
Nominal Bolt Center to Center	8.3 Inch   210 Millimeter
Bore	1.969 Inch   50 Millimeter
bore diameter:	50 mm
expansion type:	Expansion Bearing (Floating)
overall length:	8.0700 in
finish/coating:	Uncoated



## BEARING CORP. LTD.

overall height:	4.8820 in
radial dynamic load capacity:	21700 lbf
mounting:	Two-Bolt Base
radial static load capacity:	20200 lbf
bearing type:	Spherical Roller
maximum rpm:	5900 RPM
bore type:	Round
lubrication type:	Lubrication Fitting
housing construction:	Split Pillow Block
operating temperature range:	+55 to +120 ° F
base to bore centerline:	2.3600 in
series:	SYNT
bolt center-to-center length:	6.6929 in
replacement bearing:	22208E
base width:	2.3622 in
$d_a$	50 mm
$H_1$	70 mm
$H_2$	28 mm
$N$	24 mm
$N_1$	18 mm
$A_3$	62 mm
$A_5$	29.5 mm
$b_a$ min.	34 mm
$b_a$ max.	55 mm
$J_6$	234 mm
$J_7$	26 mm
$N_4$ max.	8 mm
Basic dynamic load rating $C$	104 kN
Basic static load rating $C_0$	108 kN
Fatigue load limit $P_u$	11.8 kN
Calculation factor $e$	0.24



## BEARING CORP. LTD.

Calculation factor $Y_1$	2.8
Calculation factor $Y_2$	4.2
Bearing mean diameter $d_m$	70 mm
Basic bearing designation	22210 E
$P_0^\circ$	190 kN
$P_{55^\circ}$	330 kN
$P_{90^\circ}$	200 kN
$P_{120^\circ}$	130 kN
$P_{150^\circ}$	115 kN
$P_{180^\circ}$	140 kN
$P_a$	15 kN
Attachment bolt diameter G	16 mm
Tightening torque for attachment bolts	200 N · m
Grub screws	3 x M 6
Tightening torque for grub screws	8 N · m
Grease quantity for relubrication	4 g
End cover	ECY 210