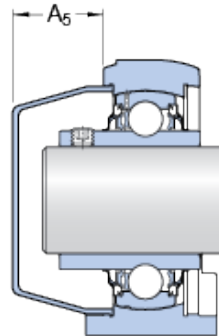
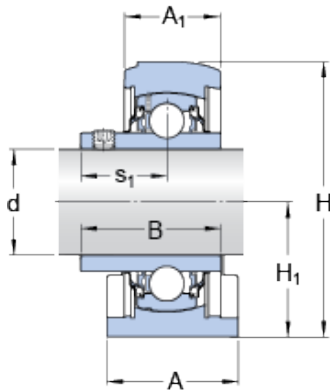




BEARING CORP. LTD.



SKF SYFWK 1.1/4 ALTHR bearing units

Bearing No. SYFWK 1.1/4 ALTHR

Size	31.75x43x28 mm
Bore Diameter	31,75 mm
Outer Diameter	43 mm
Width	28 mm
d	31.75 mm
A	43 mm
A ₁	28 mm
B	38.1 mm
H	84 mm
H ₁	42.9 mm
J	76.2 mm
L	101 mm
s ₁	22.2 mm
Basic dynamic load rating - C	16.3 kN
Basic static load rating - C ₀	11.2 kN
Fatigue load limit - P _u	0.475 kN
Limiting speed	3800 r/min
Calculation factor - f ₀	14
Weight	0.49 kg
Size thread - G	M10
Thread length - G ₁	12 mm
Hexagonal key size for grub screw - H	3.175 mm
Recommended tightening torque for grub screw	4 N · m

SYFWK 1.1/4 ALTHR Bearing 2D drawings and 3D CAD models



BEARING CORP. LTD.

Housing	SYFWK 506 L
Bearing - YAR 206-104-2RFGR/HV	YAR 2061042RFGR/HV
Housing material	Composite for food and beverage
A ₁	28 mm
A ₅	27 mm
H ₁	42.9 mm
s ₁	22.2 mm
Basic dynamic load rating C	16.3 kN
Basic static load rating C ₀	11.2 kN
Fatigue load limit P _u	0.475 kN
Mass bearing unit	0.49 kg
Thread size attachment end G	M10
Thread length G ₁	12 mm
Thread grub screw G ₂	1/4-28 UNF
Hexagonal key size for grub screw N	3.175 mm