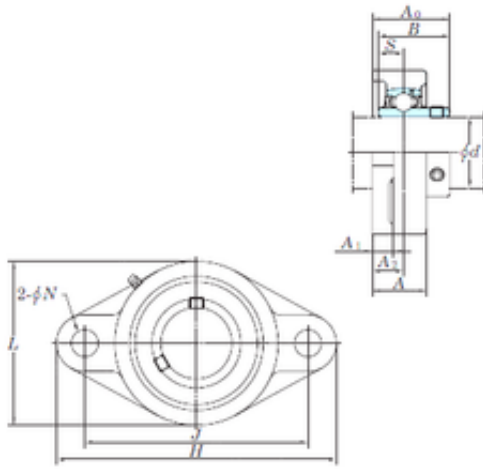




# BEARING CORP. LTD.

## KOYO UCFL309 bearing units

Bearing No. UCFL309



UCFL309 Bearing 2D drawings and 3D CAD models

Bore Diameter	45 mm
d	45 mm
A0	60 mm
A	44 mm
A1	18 mm
B	57 mm
H	230 mm
J	177 mm
L	125 mm
N	25 mm
S	22 mm
A2	25 mm
Weight	3,5 Kg
Basic static load rating (C0)	48,9 kN
Bearing No.	UCFL309
Bolt size	M22
Cr	48.9
C0r	29.5
f0	13.3
(Refer.)Unit mass(kg)	3.5
Nipple size	R1/8