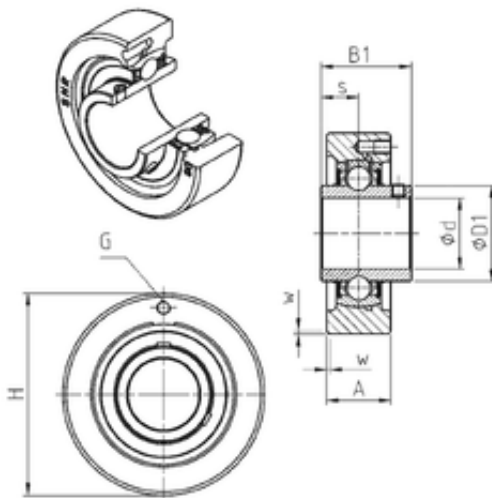




BEARING CORP. LTD.

SNR UCC202 bearing units

Bearing No. UCC202



UCC202 Bearing 2D drawings and 3D CAD models

Bore Diameter	15 mm
d	15 mm
s	12,7 mm
A	20 mm
B1	31 mm
D1	29 mm
H	72 mm
W	1,5 mm
Thread (G)	M6x1
Weight	0,5 Kg
Basic dynamic load rating (C)	12,8 kN
B	31 mm
A3	1.5 mm
A5	18.3 mm
G	M6x1
s1	15.5 mm
S	12.7 mm
SW	3 mm
C	12.8 kN
C0	6.65 kN
T min.	-20 ° C
T max.	100 ° C
Recommended tightening torque for set screw	5.5 Nm
Designation of housing	C204-
Designation of bearing	UC202G2



BEARING CORP. LTD.