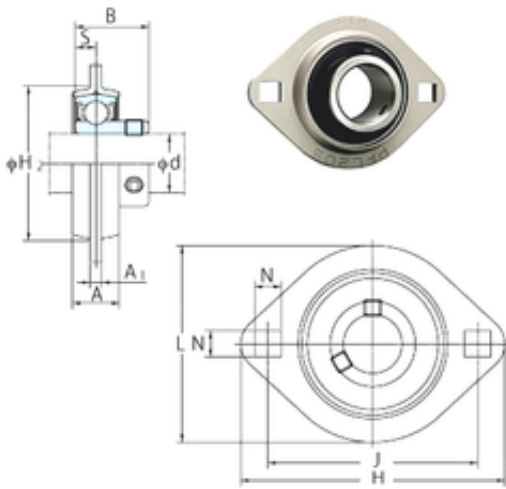




BEARING CORP. LTD.

FYH SBPFL205-14 bearing units

Bearing No. SBPFL205-14



SBPFL205-14 Bearing 2D drawings and 3D CAD models

| | |
|-------------------------------|------------|
| Bore Diameter | 20,6375 mm |
| Width | 27 mm |
| d | 20,6375 mm |
| A | 18 mm |
| A1 | 4 mm |
| B | 27 mm |
| H | 95 mm |
| H2 | 60 mm |
| J | 76 mm |
| L | 71 mm |
| N | 9 mm |
| S | 7,5 mm |
| Bolt (G) | M8 |
| Weight | 0,28 Kg |
| Basic dynamic load rating (C) | 14 kN |
| Basic static load rating (C0) | 7,85 kN |