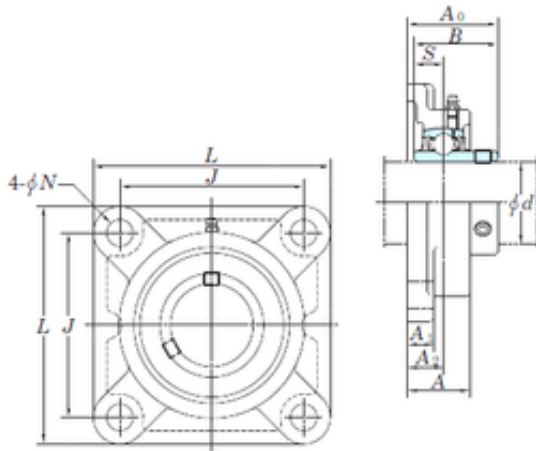




BEARING CORP. LTD.

KOYO UCFX14 bearing units



Bearing No. UCFX14

Bore Diameter	70 mm
d	70 mm
A0	81,5 mm
A	60 mm
A1	22 mm
B	77,8 mm
J	152 mm
L	197 mm
N	23 mm
S	33,3 mm
Bolt (G)	M20
A2	37 mm
Weight	7 Kg
Basic dynamic load rating (C)	67,4 kN
Basic static load rating (C0)	48,3 kN
Bearing No.	UCFX14
Bolt size	M20
Cr	67.4
C0r	48.3
f0	14.5
(Refer.)Unit mass(kg)	7.0
Nipple size	R1/8

UCFX14 Bearing 2D drawings and 3D CAD models