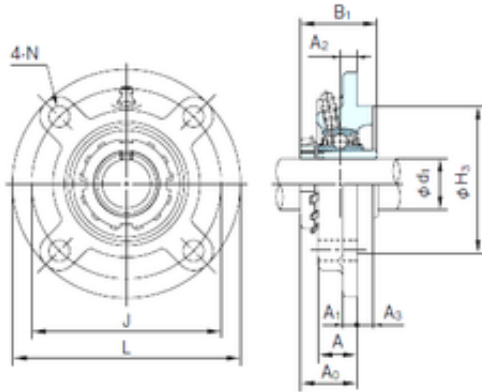




BEARING CORP. LTD.

NACHI UKFCX18+H2318 bearing units

Bearing No. UKFCX18+H2318



UKFCX18+H2318 Bearing 2D drawings and 3D CAD models

Bore Diameter	80 mm
d1	80 mm
H3	186 mm
A0	56 mm
A	43 mm
A1	19 mm
B1	86 mm
J	219 mm
L	260 mm
N	23 mm
Bolt (G)	M20
A2	12 mm
A3	28 mm