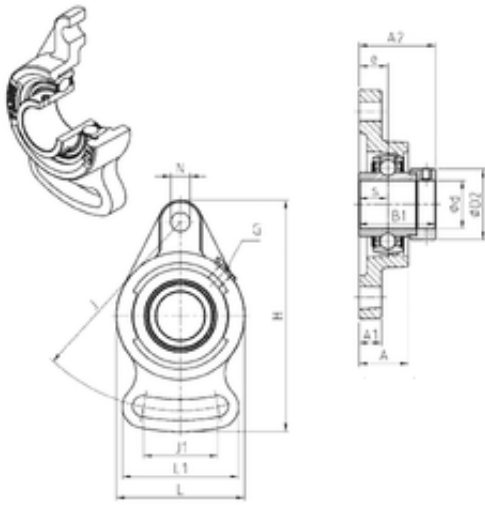




# BEARING CORP. LTD.

## SNR EXFA206 bearing units

Bearing No. EXFA206



EXFA206 Bearing 2D drawings and 3D CAD models

Bore Diameter	30 mm
d	30 mm
e	18 mm
s	18,2 mm
A	31 mm
A1	14 mm
B1	48,3 mm
D2	44,5 mm
H	144 mm
J	117 mm
L	80 mm
L1	72 mm
N	12 mm
Thread (G)	M6x1
A2	48,1 mm
J1	58 mm
Weight	1,3 Kg
Basic dynamic load rating (C)	19,5 kN