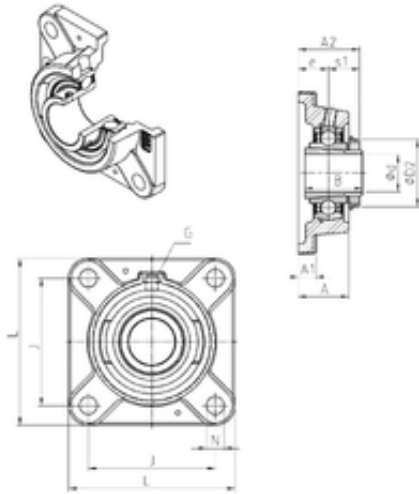




BEARING CORP. LTD.

SNR UKFE208H bearing units

Bearing No. UKFE208H



UKFE208H Bearing 2D drawings and 3D CAD models

Bore Diameter	35 mm
d	35 mm
e	24 mm
s1	24,5 mm
A	39,5 mm
A1	13 mm
B	46 mm
D2	58 mm
J	101,5 mm
L	130 mm
N	14 mm
Thread (G)	R1/8"
A2	48,5 mm
Weight	2,1 Kg
Basic dynamic load rating (C)	29,6 kN