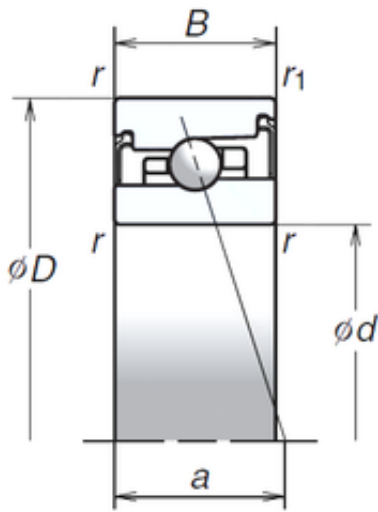




# BEARING CORP. LTD.



40 mm x 68 mm x 18 mm NSK 40BNR20XV1V  
angular contact ball bearings

Bearing No. 40BNR20XV1V

Size	40x68x18 mm
Bore Diameter	40 mm
Outer Diameter	68 mm
Width	18 mm
d	40 mm
D	68 mm
B	18 mm
C	18 mm
Angle ( ° )	18 °
a	17,8 mm
r min.	1 mm
r1 min.	0,6 mm
Weight	0,231 Kg
Basic dynamic load rating (C)	10,6 kN
Basic static load rating (C0)	7,95 kN
(Grease) Lubrication Speed	38 900 r/min

40BNR20XV1V Bearing 2D drawings and 3D CAD models